



Natural Bridge Speedway

Official 2016 Rules

Late Model

www.nbspeedway.com

540-451-2943

Rulebook Disclaimer

The rules and/or regulations set forth herein are designed to provide for the orderly conduct of racing events and to establish minimum acceptable requirements for such events. These rules shall govern the condition of all events, and by participating in these events, all participants are deemed to have complied with these rules. **NO EXPRESSED OR IMPLIED WARRANTY OF SAFETY SHALL RESULT FROM PUBLICATIONS OF OR COMPLIANCE WITH THESE RULES AND/OR REGULATIONS.** They are intended as a guide for the conduct of the sport and are in no way a guarantee against injury or death to a participant, spectator, or official.

The race director shall be empowered to permit reasonable and appropriate deviation from any of the specifications herein or impose any further restrictions that in his/her opinion do not alter the minimum acceptable requirements. **NO EXPRESSED OR IMPLIED WARRANTY OF SAFETY SHALL RESULT FROM SUCH ALTERATION OF SPECIFICATIONS.** Any interpretation or deviation is left to the discretion of the officials. Their decision is final.

Body and Body Modifications

- All cars must have an aftermarket frame.
- Installation of a windshield is optional. You may use Lexan or 4 to 5 half inch thick round steel bars placed directly in front of the driver.
- All cars must have stock appearing fiberglass, aluminum or steel body.
- The following competing models are allowed:
 1. GM - No Corvettes. Intermediate size body styles only.
 2. Ford – Mustang. Probers or any intermediate size body style only.
 3. Chrysler – Any intermediate size body style.
- Spoiler cannot extend past quarter panels. Side supports from spoiler toward deck lid may not exceed 8” in height and/or 18” in length. See end of document for exhibits.
- If you are in doubt about a body style, please ask a Speedway Official for more information.
- Car number must be displayed on roof and doors

Weight

- All cars, with an exception of cars with Crate Engines, must weigh a minimum of 2,400 pounds (with the driver) after the race. Crate Engines must weigh a minimum of 2,150 pounds (with the driver) after the race.

Chassis, Suspension, and Frame

- 103 inches minimum wheelbase is required.
- All cars must be an offset chassis. UMP chassis rules apply.
- Any manufactures full frame or a stock appearing front frame section attached to a steel rail frame.
- Round tube, square tube and rectangular tube permitted.
- Minimum of 3 door bars on left and right side of the car.
- Roll cage-tubing minimum of 1 ½” diameter, with a wall thickness of 0.095.
- Roll cage must be attached to frame section.
- Any radiator is permitted and must be mounted in the front of the engine.
- Carbon fiber components are not permitted. (except driveshaft)

- Sway bars, torque arms, etc. are permitted.
- There is a maximum of 3 coil covers permitted on the rear suspension.

Fuel, Fuel Cell, and Fuel Pumps:

- A NASCAR or NHRA approved fuel cell is mandatory and must be contained in a heavy steel box to prevent puncture. Fuel cell may be offset.
- Natural Bridge Speedway racing fuel only, no additives permitted. Natural Bridge Speedway has the right to withdraw fuel and refill with track fuel.
- Electrical fuel pumps are permitted. Electric fuel pumps must be wired into ignition switch.
- If electric, you must have a drag racing style master shut off switch located behind area on left side of your car, behind seat.

Brakes

- Any automotive braking system is permitted.

Rear End

- Any type of rear end is permitted

Tires and Wheels

- Tires **must** be purchased and with an option to brand from Natural Bridge Speedway to run for points.
- All tires must be Hoosier 1325 or 1425 Racing Tires. NO white dots
- No 1325 29/11.0/15 or C4000 11.0/88.0/15.
- Wheels can be a maximum of 14 inches wide.
- No soaking permitted.
- Tire can be confiscated at track discretion

Transmissions and Components

- Any automatic or manual style transmission is permitted.
- Bert or Brinn okay, stock style manufacturer's case must be retained.
- All cars must be able to start and stop on its own without assistance. Must be an automatic or have a clutch installed. Any type of clutch is permitted.

- Tail shaft may be removed from any automatic transmission.
- All driveshafts must be white.
- Driveshaft loops are required.
- All cars must have an aftermarket high performance flywheel. No stock flywheels are permitted.

Engine Specifications

Approved Engines:

1. GM-350 / Ford-351, Cleveland or Windsor / Chrysler – 340 or 360. Cast iron only.
 2. Crate Engines are allowed, the following are approved (must have all seals unbroken):
 - a. Ford – M-60007-D3475SR (415 hp) / M-6007-Z351SR (400 hp)
 - b. GM – 602 or 604
 3. 364 Cubic Inches is the maximum Cubic Inch allowed. The engine must pump a maximum of 364 as calculated by the P&G. The engine will be checked by using a cylinder of the technician's choice. There are no tolerances to this rule – anything over 364 inches may result in a disqualification.
- Dry sump is okay.
 - No aluminum or magnesium engine parts internally, except where noted.
 - 604 Crate Engines allowed with 650 or 750 Holley 4 barrel carburetors. No modifications to the carburetor.
 - The engine must be located in the following location:
The #1 spark plug must be a maximum of 6 inches behind the center of the upper ball joint.

Heads:

- All heads must be cast iron or steel.
- Any size valve is allowed in the heads.
- Porting and Polishing on all heads is permitted.
 1. GM – Any cast iron or steel 23 degree head.
 2. Mopar Heads Only or Stock – P500-7445AB, P500-7708AB, P5249769, P500-7355, P500-7950
 3. Ford Heads Only or Stock – Roush 180-053030, Roush 53040, n-351-6049, n-352-6049, Windsor Jr. 5302. Windsor 2302.
- All casting numbers must be visible.

Crankshaft:

- All crankshafts must be either cast iron or steel.

Pistons:

- Any flat top or dome pistons are allowed.
- Pistons can protrude through the top of block by a maximum of .005's. If it protrudes through the top more than .005's it may result in disqualification.

Connecting Rods:

- Any steel connecting rod is allowed.
- No titanium or aluminum connecting rods

Camshaft and Lifters:

- Any hydraulic, solid lift or roller cam is permitted.
- No ceramic lifters or pushrods permitted.

Intake Manifolds:

- Any cast aluminum intakes are allowed. Intake must be store bought. No sheet metal intakes are allowed.
- Port and Polishing is allowed.
- Max adaptor plate height is 2.5".

Carburetor:

- No Predator or Weber Carburetors are allowed.
- The following carburetors are allowed:
 1. Any single 2 barrel carburetor with base plate can be no larger than 1.750. The carburetor must pass the no-go-gauge test.
 2. Any single 4 barrel carburetor up to 750 CFM. (750 CFM carburetors must pass the no-go-gauge test, Venturi size no larger than 1.378 and with a base plate opening no larger than 1.693 in diameters.)

Timing:

- No gear drive timing is permitted.

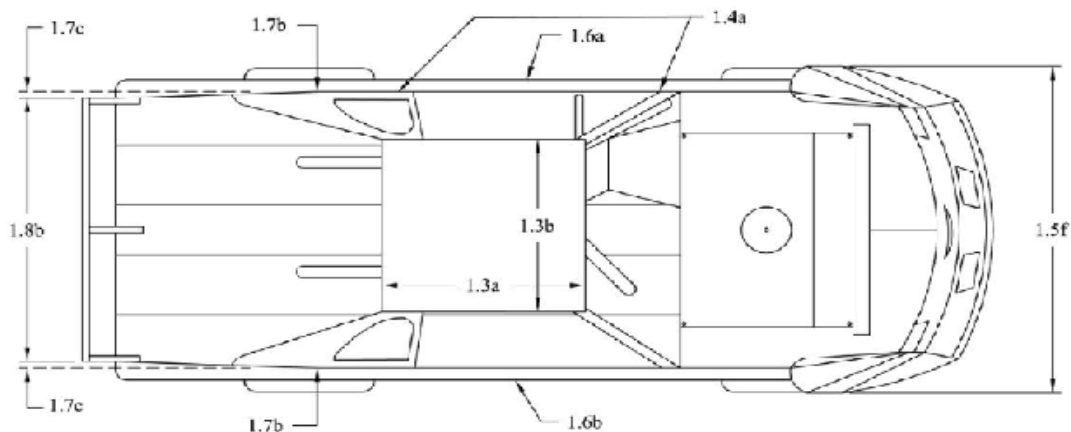
Distributors:

- No magnetos are allowed.
- Any dual point or breakerless is permitted.
- Absolutely no traction control devices of any kind – violation will result in a 150 point penalty.
- Must use a 6ALN MSD Part # 6430, the speedway reserve the right to substitute box before or after race.

Headers and Mufflers:

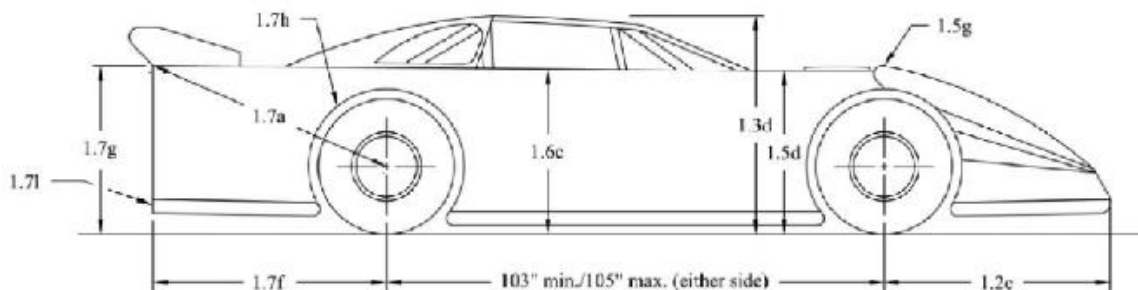
- Exhaust headers are of driver's/car owner's choice.
- Mufflers – Schoenfield # 92535 muffler required. This muffler is 9 inches long with a 3 1/2" inlet and outlet. Schoenfield manufactures all the turn downs, adapters, reducers, enlargers and all hardware.
- Mufflers must be installed so that part number is visible

- 1.3a - Roof length must be a minimum of forty-four inches (44") to a maximum of fifty-four inches (54").
- 1.3b - Roof width must be a minimum of forty-eight inches (48") to a maximum of fifty-two inches (52").
- 1.4a - All roof side panels must extend to edge of decking.
- 1.5f - Front fender flares cannot extend beyond front tire more than one inch (1") in width with the wheels pointed straight.
- 1.6a - Door cannot exceed seventy-six inches (76") in it's entirety at top of door.
- 1.6b - Door cannot exceed eighty-two inches (82") in width at the bottom in the center of car.
- 1.7b - The quarter panels cannot exceed seventy-six inches (76") in width at any point behind the center of the rear hub as measured at the top.
- 1.7c - Rear decks must taper from seventy-six inches (76"), as measured at the top over the rear hubs, uniformly back to seventy-two inches (72)" at the spoiler, equally on both sides.
- 1.8b - Maximum spoiler width is seventy-two inches (72").

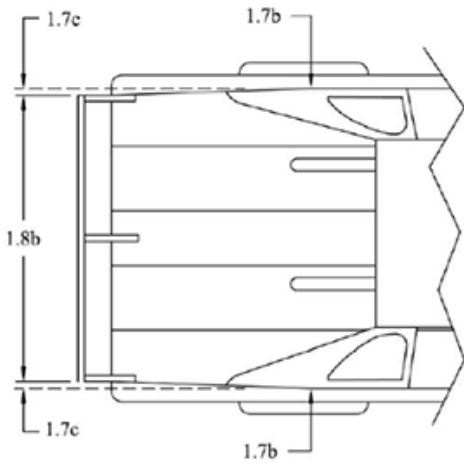


**LATE MODEL
TOP VIEW DIMENSIONS**

- 1.2e - Stock Nosepiece can extend a maximum of fifty-two inches (52") from center of front hub to farthest point extending forward.
- 1.3d - Roof height must be between forty-five (45") and forty-eight inches (48") from the ground.
- 1.5d - Front fenders can not exceed thirty-seven inches (37") in height measured from the ground.
- 1.5g - The front fender flares may not be higher than fenders by more than two inches (2").
- 1.6c - Doors can not exceed thirty-seven inches (37") in height measured from the ground.
- 1.7a - Fifty-three inches (53") maximum center of rear hub to top corner of quarter panel.
- 1.7f - Forty-eight inches (48") maximum length from center of rear hub to end of quarter panel.
- 1.7g - Thirty-eight inches (38") maximum height from top of deck to ground.
- 1.7h - Minimum of two inches (2") tire clearance from body.
- 1.7i - Any skirting can not extend beyond the quarter panel.

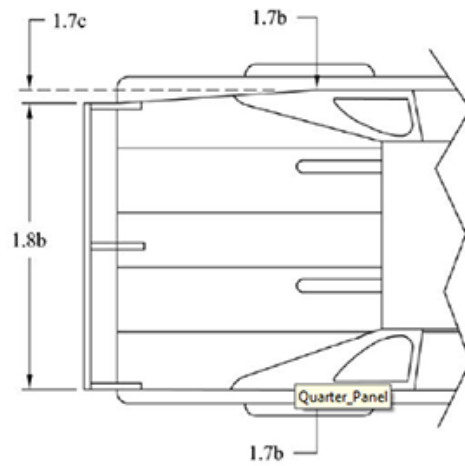


**LATE MODEL
SIDE VIEW DIMENSIONS**



Option 1

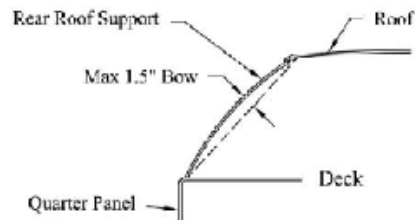
Rear decks must taper from seventy-six inches (76"), as measured at the top over the rear hubs, uniformly back to seventy-two inches (72)" at the spoiler, equally on both sides.



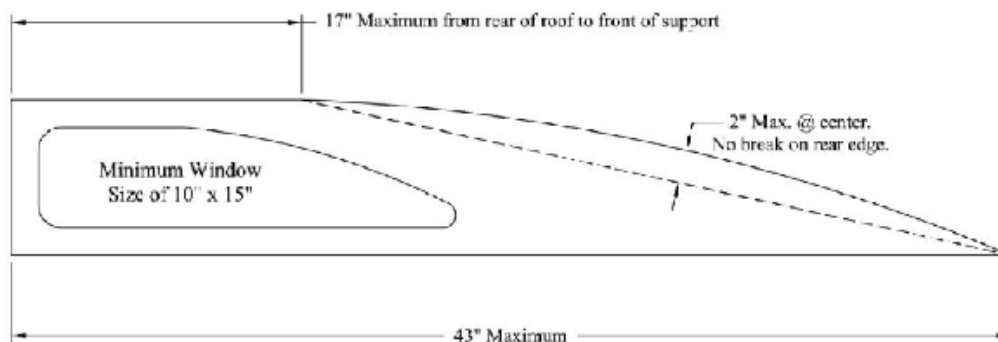
Option 2

Rear decks must taper from seventy-six inches (76"), as measured at the top over the rear hubs, uniformly back to seventy-two inches (72)" at the spoiler, on the left side only.

**LATE MODEL REAR
QUARTER PANEL OPTIONS**

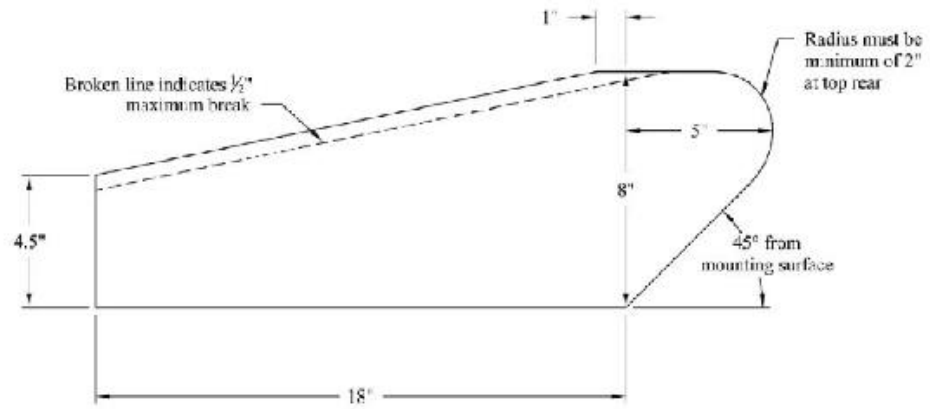


REAR VIEW



SIDE VIEW

DIRT LATE MODEL
WINDOW SIDE PANEL
& REAR ROOF SUPPORT



No more than three (3) spoiler supports permitted. Front edge of supports must be in line.

Dimensions Have Zero Tolerance

**DIRT LATE MODEL
SPOILER SUPPORTS**